

 – newform

2022 KITCHEN PRICELIST



aloredesign.com
streamlinecanada.ca

WHY NEWFORM?

Aesthetics and **functionality**, **design** and **originality**, together with attention to **detail**, represent the distinguishing features of Newform quality and research. **Founded in 1981**, nowadays it is firmly guided by Tiziano and Alessandra Gessi, who continue writing the history of this all-Italian success.



100%
INDEPENDENTLY
**MADE IN
ITALY**

31
DIFFERENT
FINISH
COMBOS

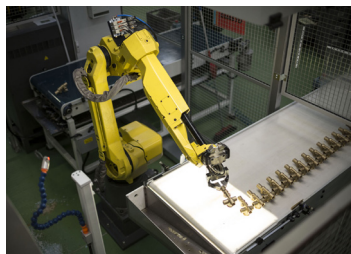
SOME PRODUCTS
NSF
CERTIFIED
U.S.A. & CANADA

11
DIFFERENT
LINES
TO PLEASE
ALL TASTES

Nowadays, more than ever, the company is proud of being **100% Made in Italy** and is among the few companies that can independently complete all the stages of production, from design to the finished product. This allows for unlimited possibilities in customization, and new lines and models being introduced often. With 31 different finishes available and the possibility to combine them, the options are unlimited!

Successful even abroad, Newform is found in many countries all over the world with a widespread distribution network that allows the Italian-made product to be recognisable everywhere.

Newform can be found in some of the most top-of-the-line international hotels, including; 400 Park Avenue South in New York City, the Intercontinental Beijing, the Melia Madrid Princesa, the Topaz 1402 in South Africa, and many, many more.



Design inspired by the best “Made in Italy”, innovation and technology along with **environmental requirements, quality standards and international certifications** are the reasons Newform has become a major player in the international market.

Some Newform products are NSF certified in the U.S.A. and Canada as well as EPA WaterSense approved in the U.S.A. Choosing a product certified by NSF lets you know the company complies with strict standards and procedures imposed by NSF. From extensive product testing and material analyses to unannounced plant inspections, every aspect of a product’s development is thoroughly evaluated before it can earn certification.

TABLE OF CONTENTS

TABLE DES MATIÈRES

ORAMA.....	13
REAL.....	14
REAL STEEL.....	16
ERGO.....	18
YCON.....	20
LIBERA.....	21
N21.....	22
MAKI.....	23
POT FILLER.....	24
SOAP DISPENSERS...	24
AIR GAPS.....	25
INDEX / INDICE.....	27



NOTE!

This check mark symbol indicates IN STOCK items.
In stock items ship in 24 hours

O'RAMA






68700.05.093









68700.01.093



68730.M2.076

-  **01.014**
MATT WHITE
-  **01.093**
MATT BLACK
-  **05.093**
CHROME &
MATT BLACK

-  **33.013**
BRUSHED NICKEL
& GLOSSY WHITE
-  **33.093**
BRUSHED NICKEL
& MATT BLACK
-  **57.064**
BRUSHED GUN METAL
& MATT BLACK PVD

-  **57.066**
BRUSHED STAINLESS
STEEL & MATT BLACK PVD
-  **57.067**
BRUSHED COPPER BRONZE
& MATT BLACK PVD
-  **M2.077**
CARBON SATIN & MATT BLACK

REAL



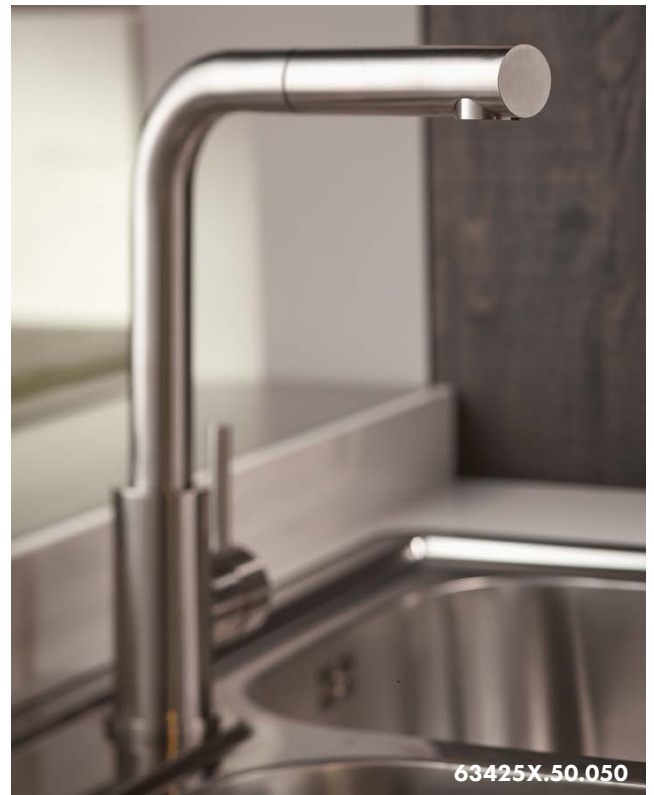
63425.21.018

63445.21.018

● 21.018
CHROME

● 31.028
BRUSHED NICKEL

REAL STEEL



 **50.050**
STAINLESS STEEL

ERGO



21.018
CHROME

31.028
BRUSHED NICKEL

YCON



- 21.018
CHROME
- 31.028
BRUSHED NICKEL
- 01.014
MATT WHITE
- 01.093
MATT BLACK
- M0.077
CARBON SATIN -
EXCLUSIVE METAL



M0.076



64215.01.014

64215.01.093

X-LIGHT



64115.21.018



21.018
CHROME



64101.21.018

LIBERA



01.014
MATT WHITE

01.093
MATT BLACK

21.018
CHROME

31.028
BRUSHED NICKEL

59.064
BRUSHED GUN METAL PVD

59.067
BRUSHED COPPER BRONZE PVD

M0.077
CARBON SATIN -
EXCLUSIVE METAL

N21



71730.21.018



71730.59.098



71731.01.093



71725.21.018

21.018
CHROME

31.028
BRUSHED NICKEL

59.064
BRUSHED GUN METAL PVD

M0.077
CARBON SATIN -
EXCLUSIVE METAL

01.093
MATT BLACK

59.098
BRUSHED PALE GOLD

59.067
BRUSHED COPPER BRONZE PVD

MAKI



21.018
CHROME

31.028
BRUSHED NICKEL

59.064
BRUSHED GUN METAL PVD

M0.077
CARBON SATIN -
EXCLUSIVE METAL

01.093
MATT BLACK

59.098
BRUSHED PALE GOLD

59.067
BRUSHED COPPER BRONZE PVD

O'RAMA



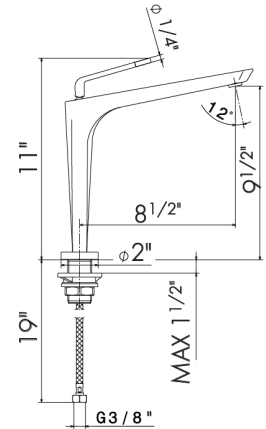
68700

Single-lever kitchen mixer with swivel spout and adjustable aerator. 3/8" female connection hoses.

*Robinet de cuisine à 1 poignée.
Tuyaux de raccordement femelle 3/8".*

21.018 Chrome	\$940
01.014 Matt white	\$1020
01.093 Matt black	\$1020
05.093 Chrome + matt black	\$970
31.028 Brushed nickel	\$1010
57.064 Brushed gun metal + matt black	\$1255
57.066 Brushed stainless steel + matt black	\$1255
57.067 Brushed copper bronze + matt black	\$1255
M2.077 Carbon satin + matt black	\$1165

25925 Cartridge **\$115**



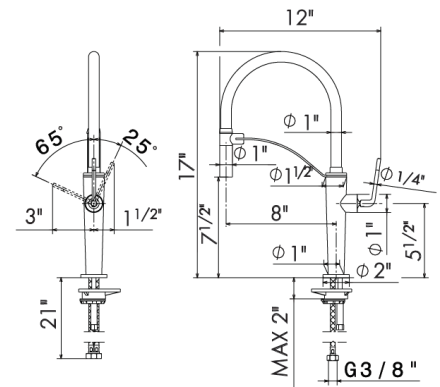
68730

Single-lever kitchen mixer with swivel and adjustable spout. 3/8" female connection hoses. 25mm ceramic disc cartridge.

Robinet de cuisine à 1 poignée avec bec pivotant et réglable. Tuyaux de raccordement femelle 3/8". Cartouche à disque en céramique de 25 mm.

01.014 Matt white	\$1120
01.093 Matt black	\$1120
05.093 Chrome + matt black	\$995
33.013 Brushed nickel + glossy white	\$1060
33.093 Brushed nickel + matt black	\$1060
57.064 Brushed gun metal + matt black	\$1440
57.066 Brushed stainless steel + matt black	\$1440
57.067 Brushed copper bronze + matt black	\$1440
M2.077 Carbon satin + matt black	\$1345

25925 Cartridge **\$115**



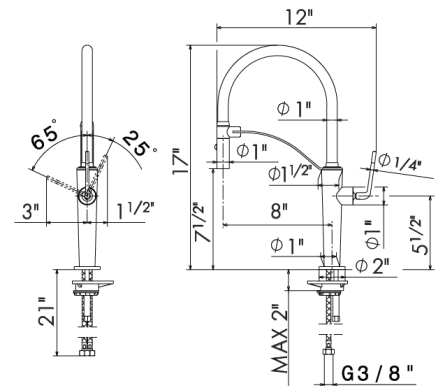
68735

Single-lever kitchen mixer with swivel and adjustable spout. Double-jet flow. 3/8" female connection hoses. 25mm ceramic disc cartridge.

Robinet de cuisine à 1 poignée avec bec pivotant et réglable. Écoulement à double jet. Tuyaux de raccordement femelle 3/8". Cartouche à disque en céramique de 25 mm.

01.014 Matt white	\$1195	☑
01.093 Matt black	\$1195	☑
05.013 Chrome + glossy white	\$1050	☑
05.093 Chrome + matt black	\$1050	☑
33.013 Brushed nickel + glossy white	\$1125	☑
33.093 Brushed nickel + matt black	\$1125	☑
57.064 Brushed gun metal + matt black	\$1515	☑
57.066 Brushed stainless steel + matt black	\$1515	☑
57.067 Brushed copper bronze + matt black	\$1515	☑
M2.077 Carbon satin + matt black	\$1440	☑

25925 Cartridge **\$115**



FINITIONS EN FRANÇAIS

21.018 Chrome	01.093 Noir mat	33.013 Nickel brossé + blanc brillant	57.064 Métal pistolet brossé + noir mat	57.067 Cuivre bronze brossé + noir mat
01.014 Blanc mat	05.093 Chrome + noir mat	33.093 Nickel brossé + noir mat	57.066 Acier inoxydable brossé + noir mat	M2.076 Carbon satiné + noir mat

☑ = in stock
Ships in 24 hours

orders@streamlinecanada.ca • orderdesk@aloredesign.com • 1-866-503-9796

REAL

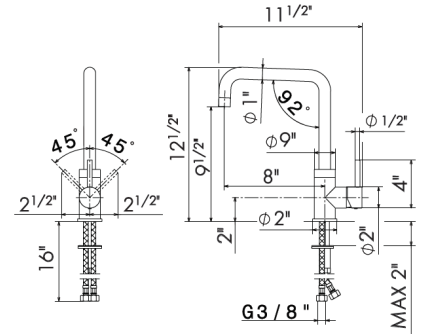


63420

Single-lever kitchen mixer with swivel spout.
3/8" female connection hoses. 35mm ceramic
disc cartridges.

*Robinet de cuisine à 1 poignée avec bec pivotant.
Tuyaux de raccordement femelle 3/8". Cartouche
à disque en céramique de 35 mm.*

14720 Cartridge	\$75
21.018 Chrome	\$515
31.028 Brushed nickel / Nickel brossé	\$560

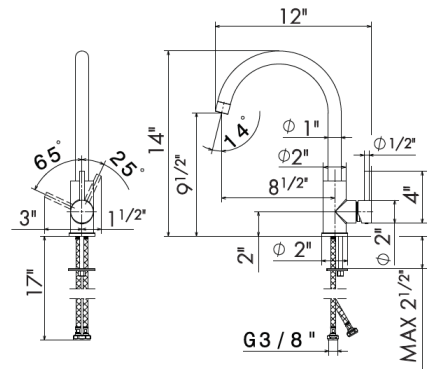


63421

Single-lever kitchen mixer with swivel spout.
3/8" female connection hoses. 35mm ceramic
disc cartridges.

*Robinet de cuisine à 1 poignée avec bec pivotant.
Tuyaux de raccordement femelle 3/8". Cartouche
à disque en céramique de 35 mm.*

14720 Cartridge	\$75
21.018 Chrome	\$490
31.028 Brushed nickel / Nickel brossé	\$550

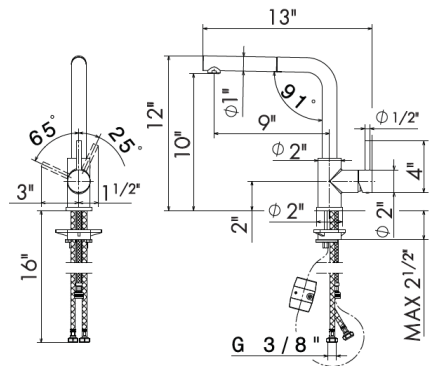


63425

Single-lever kitchen mixer with swivel spout and
pull-out handshower. 3/8" female connection
hoses.

*Robinet de cuisine à 1 poignée avec bec pivotant
et douchette extensible. Tuyaux de raccordement
femelle 3/8".*

14720 Cartridge	\$75
21.018 Chrome	\$615
31.028 Brushed nickel / Nickel brossé	\$715





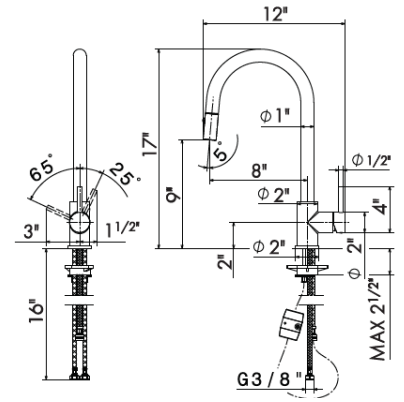
63435

Single-lever kitchen mixer with swivel spout and pull-out handshower. 3/8" female connection hoses.

Robinet de cuisine à 1 poignée avec bec pivotant et douchette extensible. Tuyaux de raccordement femelle 3/8".

14720 Cartridge **\$75**

21.018 Chrome **\$675** ✓
31.028 Brushed nickel / Nickel brossé **\$830** ✓



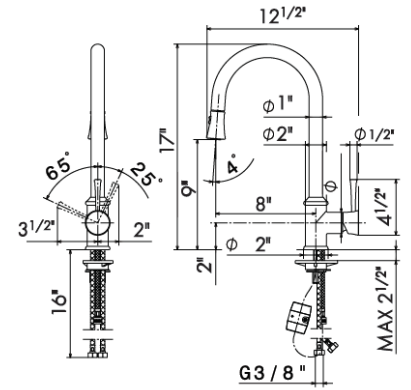
63445

Single-lever kitchen mixer with swivel spout and double jet pull-out handshower. 3/8" female connection hoses.

Robinet de cuisine à 1 poignée avec bec pivotant et douchette double jet extensible. Tuyaux de raccordement femelle 3/8".

14720 Cartridge **\$75**

21.018 Chrome **\$895** ✓
31.028 Brushed nickel / Nickel brossé **\$1045**



REAL STEEL



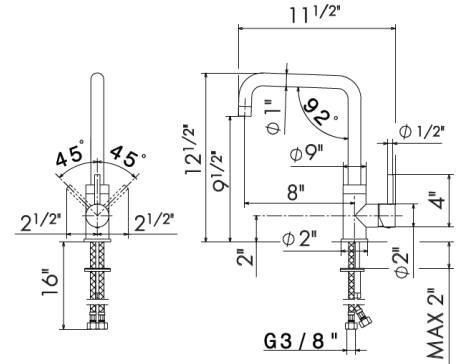
63420X

Single-lever kitchen mixer with swivel spout.
3/8" female connection hoses.

*Robinet de cuisine à 1 poignée avec bec pivotant.
Tuyaux de raccordement femelle 3/8".*

14720 Cartridge **\$75**

50.050 Stainless steel / Acier inoxydable **\$625**



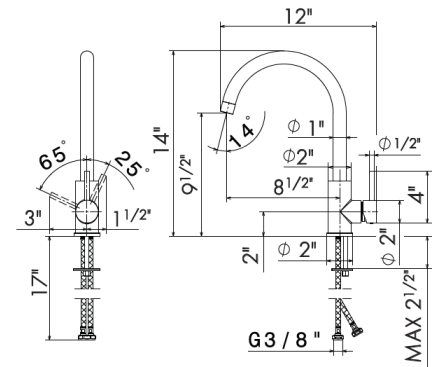
63421X

Single-lever kitchen mixer with swivel spout.
3/8" female connection hoses.

*Robinet de cuisine à 1 poignée avec bec pivotant.
Tuyaux de raccordement femelle 3/8".*

14720 Cartridge **\$75**

50.050 Stainless steel / Acier inoxydable **\$625**



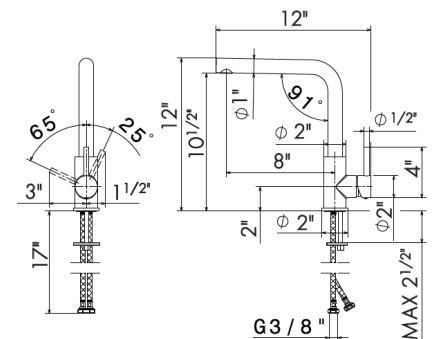
63422X

Single-lever kitchen mixer with swivel spout.
3/8" female connection hoses.

*Robinet de cuisine à 1 poignée avec bec pivotant.
Tuyaux de raccordement femelle 3/8".*

14720 Cartridge **\$75**

50.050 Stainless steel / Acier inoxydable **\$670**





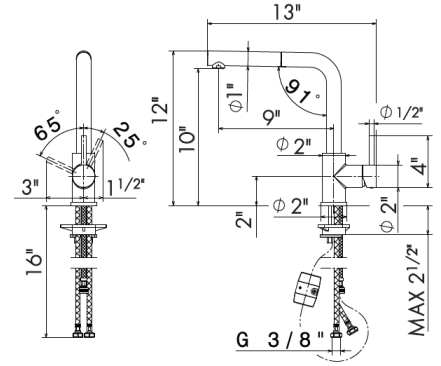
63425X

Single-lever kitchen mixer with swivel spout and pull-out handshower. 3/8" female connection hoses.

Robinet de cuisine à 1 poignée avec bec pivotant et douchette extensible. Tuyaux de raccordement femelle 3/8".

14720 Cartridge **\$75**

50.050 Stainless steel / Acier inoxydable **\$1030**



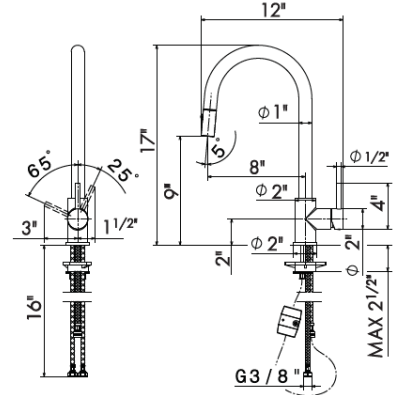
63435X

Single-lever kitchen mixer with swivel spout and pull-out handshower. 3/8" female connection hoses.

Robinet de cuisine à 1 poignée avec bec pivotant et douchette extensible. Tuyaux de raccordement femelle 3/8".

14720 Cartridge **\$75**

50.050 Stainless steel / Acier inoxydable **\$1095** ✓



ERGO

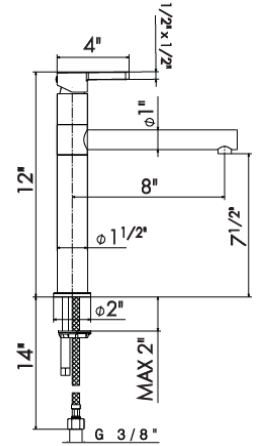


65910

Single-lever kitchen mixer with swivel spout.
3/8" female connection hoses.

*Robinet de cuisine à 1 poignée avec bec pivotant.
Tuyaux de raccordement femelle 3/8".*

14720 Cartridge	\$75
21.018 Chrome	\$530
31.028 Brushed nickel / <i>Nickel brossé</i>	\$710

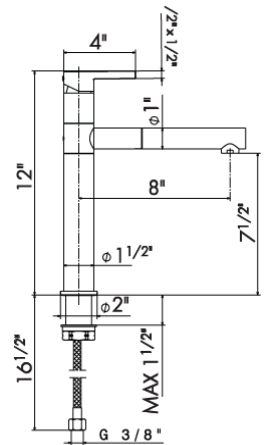


65915

Single-lever kitchen mixer with swivel spout and
pull-out handshower. 3/8" female connection
hoses.

*Robinet de cuisine à 1 poignée avec bec pivotant
et douchette extensible. Tuyaux de raccordement
femelle 3/8".*

14720 Cartridge	\$75
21.018 Chrome	\$695
31.028 Brushed nickel / <i>Nickel brossé</i>	\$765

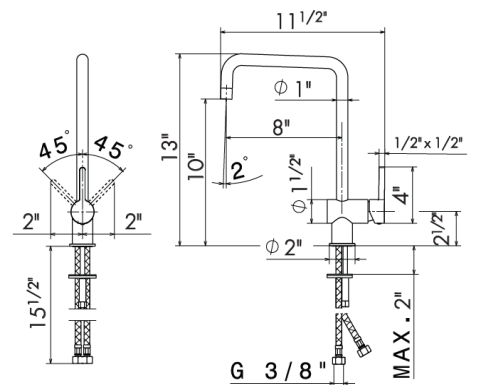


65920

Single-lever kitchen mixer with swivel spout.
3/8" female connection hoses.

*Robinet de cuisine à 1 poignée avec bec pivotant.
Tuyaux de raccordement femelle 3/8".*

25922 Cartridge	\$75
21.018 Chrome	\$430
31.028 Brushed nickel / <i>Nickel brossé</i>	\$515





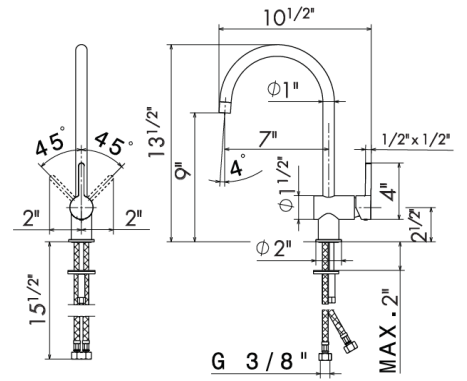
65921

Single-lever kitchen mixer with swivel spout.
3/8" female connection hoses.

*Robinet de cuisine à 1 poignée avec bec pivotant.
Tuyaux de raccordement femelle 3/8".*

25922 Cartridge **\$75**

21.018 Chrome **\$430**
31.028 Brushed nickel / Nickel brossé **\$515**



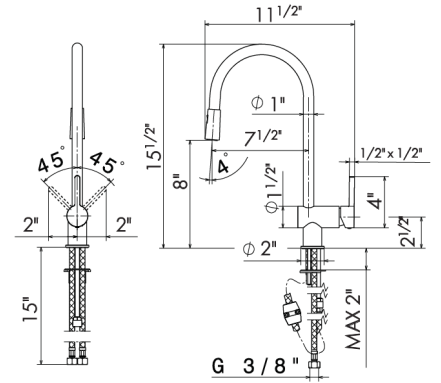
65925

Single-lever kitchen mixer with swivel spout and
double jet pull-out handshower. 3/8" female
connection hoses.

*Robinet de cuisine à 1 poignée avec bec pivotant
et douchette double jet extensible. Tuyaux de
raccordement femelle 3/8".*

25922 Cartridge **\$75**

21.018 Chrome **\$640** ✓
31.028 Brushed nickel / Nickel brossé **\$740**



YCON

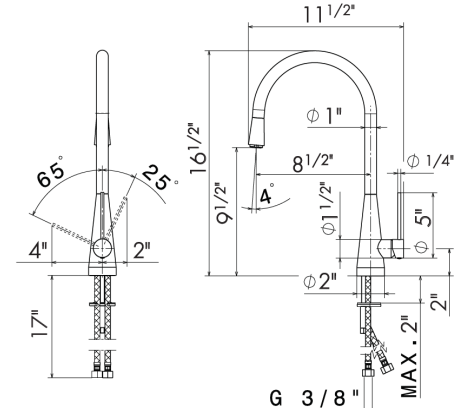


64200

Single-lever kitchen mixer with swivel spout.
3/8" female connection hoses.

*Robinet de cuisine à 1 poignée avec bec pivotant.
Tuyaux de raccordement femelle 3/8".*

19509 Cartridge	\$85
21.018 Chrome	\$750
01.014 Matt white	\$790
01.093 Matt black	\$790
31.028 Brushed nickel	\$895
M0.077 Carbon satin exclusive metal	\$1150

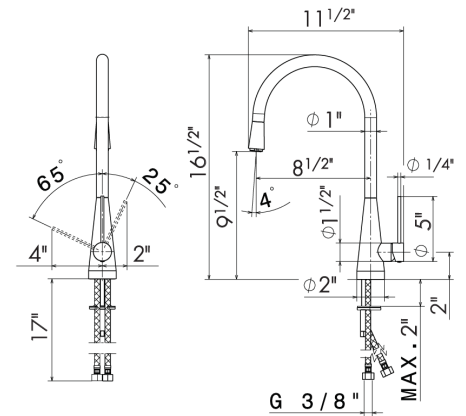


64215

Single-lever kitchen mixer with swivel spout
and single jet pull-out handshower. 3/8" female
connection hoses.

*Robinet de cuisine à 1 poignée avec bec pivotant
et douchette extensible. Tuyaux de raccordement
femelle 3/8".*

19509 Cartridge	\$85
21.018 Chrome	\$860
01.014 Matt white	\$1030
01.093 Matt black	\$1030
31.028 Brushed nickel	\$1045
M0.077 Carbon satin exclusive metal	\$1265

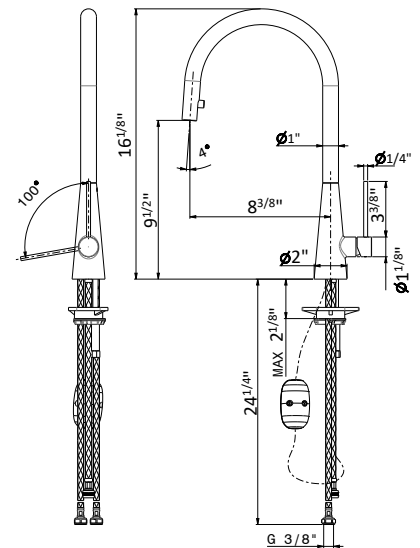


64213

Single-lever sink mixer, round swivel spout and
single jet retractable pull-out hand shower. 3/8"
female connection hoses.

*Robinet de cuisine à 1 poignée avec bec pivotant
et ressort réglable. Tuyaux de raccordement
femelle 3/8".*

25973 Cartridge	\$85
21.018 Chrome	\$660
01.014 Matt white	\$760
01.093 Matt black	\$760
31.028 Brushed nickel	\$775
M0.077 Carbon satin exclusive metal	\$920



FINITIONS EN FRANÇAIS | 21.018 Chrome | 01.014 Blanc mat | 01.093 Noir mat | 31.028 Nickel brossé | M0.076 Carbon satiné

LIBERA

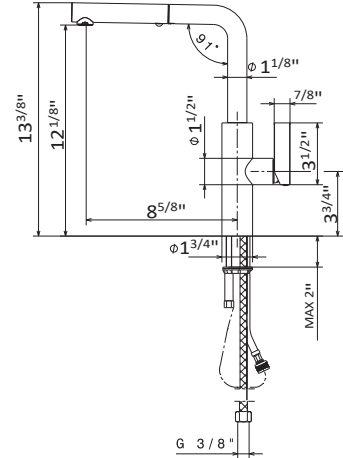


63915

Single-lever sink mixer with swivel spout and double jet pull-out hand shower. 3/8" female connection hoses.

Robinet de cuisine à 1 poignée avec bec pivotant et douchette double jet extensible. Tuyaux de raccordement femelle 3/8".

11570 Cartridge	\$70
21.018 Chrome	\$1025
31.028 Brushed nickel	\$1250
01.014 Matt White	\$1245
01.093 Matt Black	\$1245
59.064 Brushed Gun Metal PVD	\$1695
59.067 Brushed Copper Bronze PVD	\$1695
M0.077 Carbon satin exclusive metal	\$1525

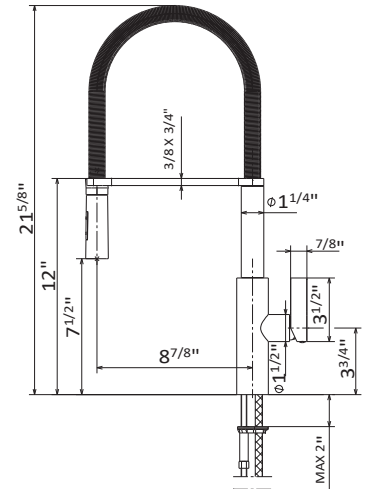


63930

Single-lever sink mixer with swivel and adjustable spring. 3/8" female connection hoses.

Robinet de cuisine à 1 poignée avec bec pivotant et ressort réglable. Tuyaux de raccordement femelle 3/8".

11570 Cartridge	\$70
21.018 Chrome	\$1290
31.028 Brushed nickel	\$1595
01.014 Matt White	\$1395
01.093 Matt Black	\$1395
05.013 Matt White	\$1350
05.093 Matt Black	\$1350
59.064 Brushed Gun Metal PVD	\$2220
59.066 Brushed Stainless Steel PVD	\$2220
59.067 Brushed Copper Bronze PVD	\$2220
M2.077 Carbon satin exclusive metal	\$1695



N21

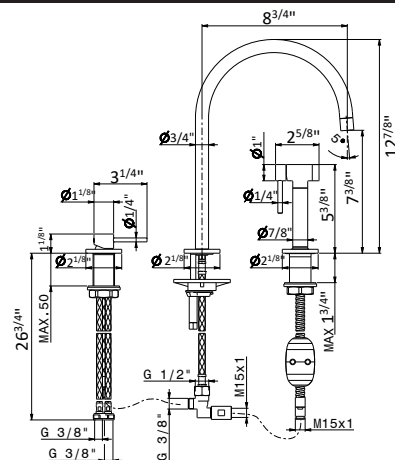


71730

Single-lever kitchen mixer with swivel spout.with side spray. 3/8" female connection hoses.

Robinet de cuisine à 1 poignée avec bec pivotant et douchette. Tuyaux de raccordement femelle 3/8".

11570 Cartridge	\$70
21.018 Chrome	\$995
01.093 Matt black	\$1220
31.028 Brushed nickel	\$1095
59.064 Brushed Gun Metal PVD	\$1875
59.067 Brushed Copper Bronze PVD	\$1875
59.098 Brushed Pale Gold	\$1875
M0.077 Carbon satin exclusive metal	\$1295

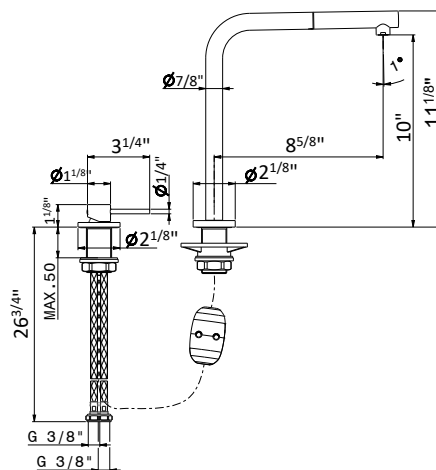


71725

Single-lever kitchen mixer with swivel spout.with pullout handshower. 3/8" female connection hoses.

Robinet de cuisine à 1 poignée avec bec pivotant et douchette extensible. Tuyaux de raccordement femelle 3/8".

11570 Cartridge	\$70
21.018 Chrome	\$685
01.093 Matt black	\$795
31.028 Brushed nickel	\$785
59.064 Brushed Gun Metal PVD	\$1395
59.067 Brushed Copper Bronze PVD	\$1395
59.098 Brushed Pale Gold	\$1395
M0.077 Carbon satin exclusive metal	\$925

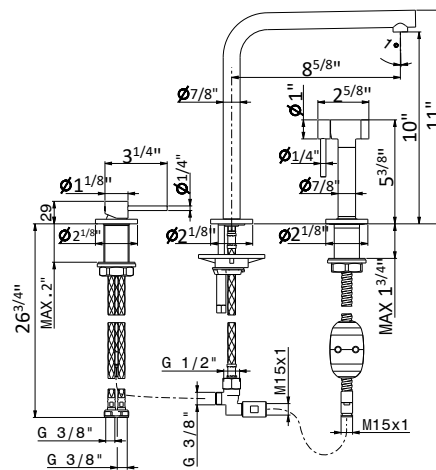


71731

Single-lever kitchen mixer with swivel spout.with side spray. 3/8" female connection hoses.

Robinet de cuisine à 1 poignée avec bec pivotant et douchette. Tuyaux de raccordement femelle 3/8".

11570 Cartridge	\$70
21.018 Chrome	\$975
01.093 Matt black	\$1195
31.028 Brushed nickel	\$1095
59.064 Brushed Gun Metal PVD	\$1850
59.067 Brushed Copper Bronze PVD	\$1850
59.098 Brushed Pale Gold	\$1850
M0.077 Carbon satin exclusive metal	\$1250



MAKI

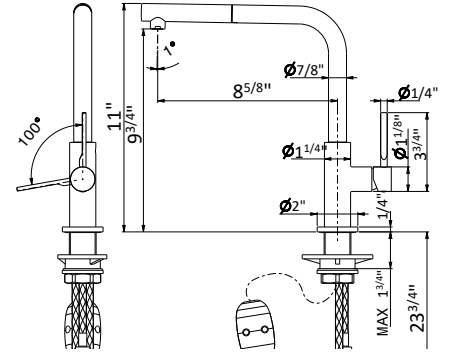


71825

Single-lever kitchen mixer with swivel spout and pullout handshower. 3/8" female connection hoses.

Robinet de cuisine à 1 poignée avec bec pivotant et douchette double jet extensible. Tuyaux de raccordement femelle 3/8".

25973 Cartridge	\$85
21.018 Chrome	\$650
01.093 Matt black	\$835
31.028 Brushed nickel	\$775
59.064 Brushed Gun Metal PVD	\$1350
59.067 Brushed Copper Bronze PVD	\$1350
59.098 Brushed Pale Gold	\$1350
M0.077 Carbon satin exclusive metal	\$995

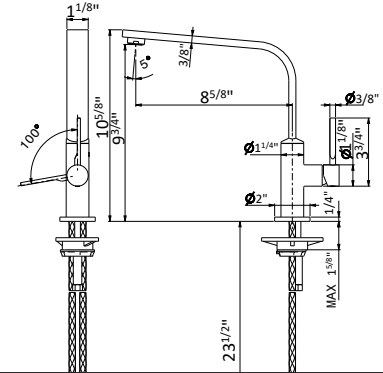


71823

Single-lever kitchen mixer with swivel spout. 3/8" female connection hoses.

Robinet de cuisine à 1 poignée avec bec pivotant. Tuyaux de raccordement femelle 3/8".

25973 Cartridge	\$85
21.018 Chrome	\$540
01.093 Matt black	\$650
31.028 Brushed nickel	\$625
59.064 Brushed Gun Metal PVD	\$1150
59.067 Brushed Copper Bronze PVD	\$1150
59.098 Brushed Pale Gold	\$1150
M0.077 Carbon satin exclusive metal	\$815

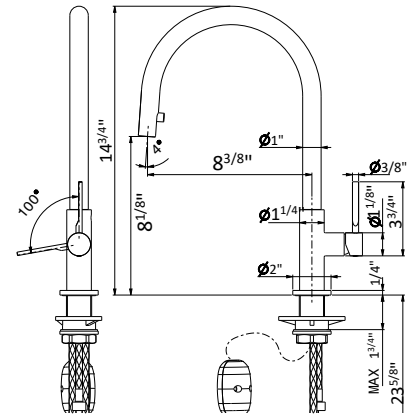


71845

Single-lever kitchen mixer with swivel spout and pullout handshower. 3/8" female connection hoses.

Robinet de cuisine à 1 poignée avec bec pivotant et douchette double jet extensible. Tuyaux de raccordement femelle 3/8".

25973 Cartridge	\$85
21.018 Chrome	\$625
01.093 Matt black	\$765
31.028 Brushed nickel	\$695
59.064 Brushed Gun Metal PVD	\$1195
59.067 Brushed Copper Bronze PVD	\$1195
59.098 Brushed Pale Gold	\$1195
M0.077 Carbon satin exclusive metal	\$940

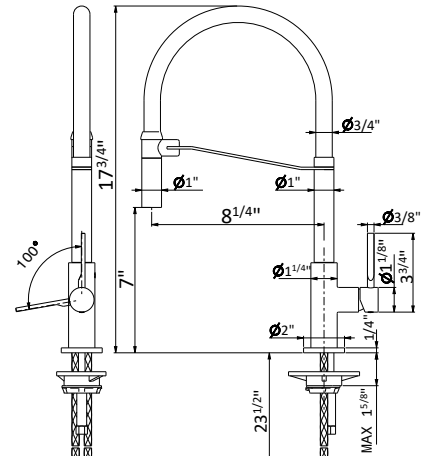


71850

Single-lever kitchen mixer with swivel and adjustable spout. 3/8" female connection hoses.

Robinet de cuisine à 1 poignée avec bec pivotant et réglable. Tuyaux de raccordement femelle 3/8".

25973 Cartridge	\$85
01.093 Matt black	\$840
05.093 Chrome & Matt black	\$765
33.093 Brushed nickel & Matt black	\$825
57.064 Brushed Gun Metal & matt black	\$1425
57.067 Brushed Copper Bronze & matt black	\$1425
57.098 Brushed Pale Gold & matt black	\$1425
M2.077 Carbon satin & matt black	\$985



POT FILLER

ROBINET DE REMPLISSAGE DE POT



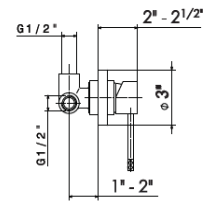
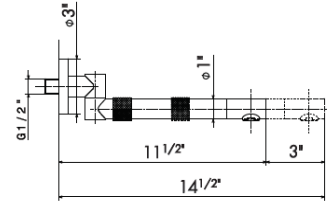
3140

Single lever wall mounted pot filler with extendable spout.

Robinet de remplissage de pot à 1 poignée avec bec extensible.

14720 Cartridge **\$75**

21.018 Chrome	\$1375
01.014 Matt white	\$1380
01.093 Matt black	\$1380
31.028 Brushed nickel	\$1695
59.064 Brushed gun metal PVD	\$1715
59.067 Brushed copper bronze PVD	\$1715
M0.077 Carbon satin exclusive metal	\$1755



SOAP DISPENSERS

DISTRIBUTEURS DE SAVON

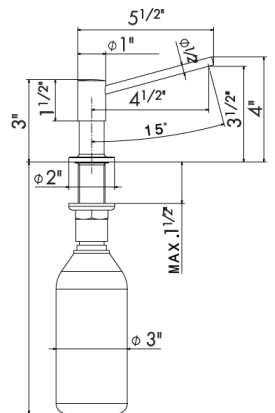


2418

Soap dispenser

Distributeur de savon

21.018 Chrome	\$295	
31.028 Brushed nickel	\$395	
01.014 Matt White	\$325	
01.093 Matt Black	\$325	
59.064 Brushed Gun Metal PVD	\$480	
59.066 Brushed Stainless Steel PVD	\$480	
59.067 Brushed Copper Bronze PVD	\$480	
M0.077 Carbon satin exclusive metal	\$385	



2418X

50.050 Stainless steel **\$580**

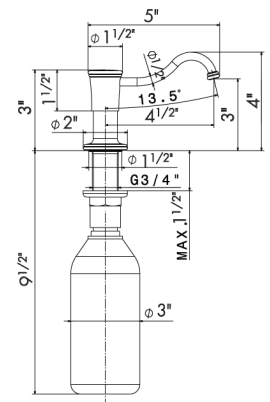


63480

Soap dispenser

Distributeur de savon

21.018 Chrome	\$455	
31.028 Brushed nickel	\$475	



AIR GAPS

ENTREFERS



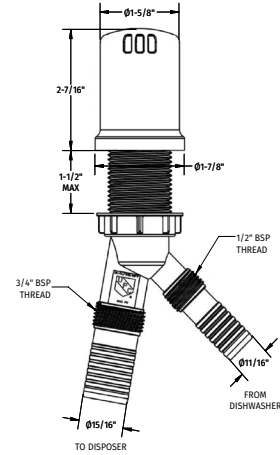
CAAG4

Round air gap unit. 1-3/8" hole required

Unité d'entrefer ronde. Trous 1-3/8" requis

PC Polished chrome
BN Brushed nickel
SS Brushed stainless steel
MB Matte black

\$55
\$100
\$80
\$160



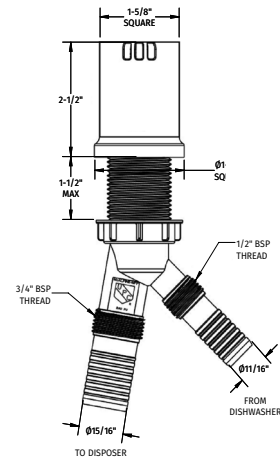
CAAG5

Square air gap unit. 1-3/8" hole required

Unité d'entrefer carré. Trous 1-3/8" requis

PC Polished chrome
BN Brushed nickel
SS Brushed stainless steel
MB Matte black

\$220
\$230
\$235
\$265



MINIMUM ADVERTISED PRICE (MAP) POLICY

Effective January 1, 2021 a MAP (Minimum Advertised Price) Policy that has been adopted by Streamline Canada/Alore Design will take effect and will replace and supersede all prior MAP policies ever issued by Streamline Canada/Alore Design. This new policy applies to all customers, dealers and resellers and is being implemented in order to avoid any further distribution channel conflicts and to better serve our customers. Further, the policy outlined below is being adopted and unilaterally implemented by Streamline Canada/Alore Design as part of its efforts to preserve the premium branding and pricing associated with the company's products. Any information relating to a product on an Internet website is considered to be advertising for purposes of the policy set out in this memo. Thus, this policy is applicable to any and all advertising of the company's products over or by the Internet, whether done through a website controlled by a customer, through an auction website such as eBay®, or through Internet placements with third parties (e.g., banner ads and destination pages).

POLICY

The Minimum Advertised Price (MAP) for the following shall be:

Streamline Canada/Alore Design Products: may not be advertised or sold at more than 25% off suggested list prices.

This policy is unilateral, non-negotiable and will not be altered for any customer. Each customer is free to determine for itself whether or not to follow this policy and how it will sell the products covered by this policy to a consumer or other purchaser, including the prices at which it will sell the products to the purchaser. Any method of granting a discount from the current suggested list price for a unit of the applicable product is intended to be covered by these policies. Thus, for purposes of determining whether or not a particular price is in violation of these policies, any discounts, coupons, allowances, gifts or other free goods or services offered with Streamline Canada/Alore Design products will be considered in calculating the price being advertised or offered by a customer. Advertised price is defined as the price presented to the customer on any/all browse or product display pages. Please understand however, that Streamline Canada/Alore Design is not asking for, and it will not accept, any agreement or other assurance of compliance from a customer regarding the policy. Similarly, Streamline Canada/Alore Design will not discuss any conditions or acceptance related to the policy, even if initiated by a customer.

Furthermore, any customer selling Streamline Canada/Alore Design products to other persons or businesses which advertise or otherwise promote Streamline Canada/Alore Design products by or over the Internet or other means used in connection with the transmission of communications to others by or through the use of a computer at prices that are in violation of this policy is also in violation of this policy and are not authorized to do so by Streamline Canada/Alore Design.

VIOLATIONS

Streamline Canada/Alore Design reserves the right at any time to audit and investigate the Internet advertising of Streamline Canada/Alore Design products by any of its customers. Any customer determined to be in violation of these policies is subject to any of the following steps being taken by Streamline Canada/Alore Design in enforcement of the policies:

1. Streamline Canada/Alore Design will notify customer in violation of the MAP policy. The customer in violation will be issued a written warning.
2. If a second violation occurs or no action is taken on an initial violation within thirty (30) business days, Streamline Canada/Alore Design will notify the offending customer and identify the violation by way of a second written warning.
3. Upon a third violation or lack of action on any initial violation, the customer's purchasing privileges for the product(s) in violation with Streamline Canada/Alore Design will be suspended for thirty (30) days and no further orders with Streamline Canada/Alore Design for the product(s) in violation will be shipped during that same period of time.

Streamline Canada/Alore Design reserves the right to notify customers that have chronic violations that their purchasing privileges may be suspended upon refusal to maintain adequate market prices. Streamline Canada/Alore Design reserves, in its sole and absolute discretion, the right to change the policy outlined in this Notice and to interpret, enforce and otherwise handle all questions and issues relating to this policy. Streamline Canada/Alore Design can also at their discretion offer limited time promotions where an identified customer can qualify for a retail price break on select items at no penalty. No sales representative or agent of Streamline Canada/Alore Design has any authority to change or enforce this policy, or to take any actions against or for any customer.

INDEX - INDICE

CODE	\$	PG	CODE	\$	PG	CODE	\$	PG	CODE	\$	PG
2418.01.014	\$325	24	63930.05.013	\$1,350	21	68730.01.014	\$1,120	13	71823.31.028	\$625	23
2418.01.093	\$325	24	63930.05.093	\$1,350	21	68730.01.093	\$1,120	13	71823.59.064	\$1150	23
2418.21.018	\$295	24	63930.21.018	\$1,290	21	68730.05.093	\$995	13	71823.59.067	\$1150	23
2418.31.028	\$395	24	63930.31.028	\$1,595	21	68730.33.013	\$1,060	13	71823.59.098	\$1150	23
2418.59.064	\$480	24	63930.59.064	\$2,220	21	68730.33.093	\$1,060	13	71823.M0.077	\$815	23
2418.59.066	\$480	24	63930.59.066	\$2,220	21	68730.57.064	\$1,440	13	71825.01.093	\$835	23
2418.59.067	\$480	24	63930.59.067	\$2,220	21	68730.57.066	\$1,440	13	71825.21.018	\$650	23
2418.M0.077	\$385	24	63930.M0.077	\$1,695	21	68730.57.067	\$1,440	13	71825.31.028	\$775	23
2418X.50.050	\$580	24	64200.01.014	\$790	20	68730.M2.077	\$1,345	13	71825.59.064	\$1,350	23
3140.01.014	\$1,380	24	64200.01.093	\$790	20	68735.01.014	\$1,195	13	71825.59.067	\$1,350	23
3140.01.093	\$1,380	24	64200.21.018	\$750	20	68735.01.093	\$1,195	13	71825.59.098	\$1,350	23
3140.21.018	\$1,375	24	64200.31.028	\$895	20	68735.05.013	\$1,050	13	71825.M0.077	\$995	23
3140.31.028	\$1,695	24	64200.M0.077	\$1,150	20	68735.05.093	\$1,050	13	71845.01.093	\$765	23
3140.59.064	\$1,715	24	64213.01.014	\$760	20	68735.33.013	\$1,125	13	71845.21.018	\$625	23
3140.59.067	\$1,715	24	64213.01.093	\$760	20	68735.33.093	\$1,125	13	71845.31.028	\$695	23
3140.M0.077	\$1,755	24	64213.21.018	\$660	20	68735.57.064	\$1,515	13	71845.59.064	\$1,195	23
63420.21.018	\$515	14	64213.31.028	\$775	20	68735.57.066	\$1,515	13	71845.59.067	\$1,195	23
63420.31.028	\$560	14	64213.M0.077	\$920	20	68735.57.067	\$1,515	13	71845.59.098	\$1,195	23
63420X.50.050	\$625	16	64215.01.014	\$1,030	20	68735.M2.077	\$1,440	13	71845.M0.077	\$940	23
63421.21.018	\$490	14	64215.01.093	\$1,030	20	71725.01.093	\$795	22	71850.01.093	\$840	23
63421.31.028	\$550	14	64215.21.018	\$860	20	71725.21.018	\$685	22	71850.05.093	\$765	23
63421X.50.050	\$625	16	64215.31.028	\$1,045	20	71725.31.028	\$785	22	71850.33.093	\$825	23
63422X.50.050	\$670	16	64215.M0.077	\$1,265	20	71725.59.064	\$1,395	22	71850.57.064	\$1,425	23
63425.21.018	\$615	14	65910.21.018	\$530	18	71725.59.067	\$1,395	22	71850.57.067	\$1,425	23
63425.31.028	\$715	14	65910.31.028	\$710	18	71725.59.098	\$1,395	22	71850.57.098	\$1,425	23
63425X.50.050	\$1,030	17	65915.21.018	\$695	18	71725.M0.077	\$925	22	71850.M2.077	\$985	23
63435.21.018	\$675	15	65915.31.028	\$765	18	71730.01.093	\$1,220	22	CAAG4 BN	\$100	25
63435.31.028	\$830	15	65920.21.018	\$430	18	71730.21.018	\$995	22	CAAG4 MB	\$160	25
63435X.50.050	\$1,095	17	65920.31.028	\$515	18	71730.31.028	\$1095	22	CAAG4 PC	\$55	25
63445.21.018	\$895	15	65921.21.018	\$430	19	71730.59.064	\$1,875	22	CAAG4 SS	\$80	25
63445.31.028	\$1,045	15	65921.31.028	\$515	19	71730.59.067	\$1,875	22	CAAG5 BN	\$230	25
63480.21.018	\$455	24	65925.21.018	\$640	19	71730.59.098	\$1,875	22	CAAG5 MB	\$265	25
63480.31.028	\$475	24	65925.31.028	\$740	19	71730.M0.077	\$1,295	22	CAAG5 PC	\$220	25
63915.01.014	\$1,245	21	68700.01.014	\$1,020	13	71731.01.093	\$1,195	22	CAAG5 SS	\$235	25
63915.01.093	\$1,245	21	68700.01.093	\$1,020	13	71731.21.018	\$975	22			
63915.21.018	\$1,025	21	68700.05.093	\$970	13	71731.31.028	\$1095	22			
63915.31.028	\$1,250	21	68700.21.018	\$940	13	71731.59.064	\$1,850	22			
63915.59.064	\$1,695	21	68700.31.028	\$1,010	13	71731.59.067	\$1,850	22			
63915.59.067	\$1,695	21	68700.57.064	\$1,255	13	71731.59.098	\$1,850	22			
63915.M0.077	\$1,525	21	68700.57.066	\$1,255	13	71731.M0.077	\$1,250	22			
63930.01.014	\$1,395	21	68700.57.067	\$1,255	13	71823.01.093	\$650	23			
63930.01.093	\$1,395	21	68700.M2.077	\$1,165	13	71823.21.018	\$540	23			



2022 PRICE LIST

CANADA

U.S.A.

Designer Brands for Kitchen & Bath
streamline
CANADA

ORDERS@STREAMLINECANADA.CA

 **loré Design**

ORDERDESK@ALOREDESIGN.COM



1-866-503-9796